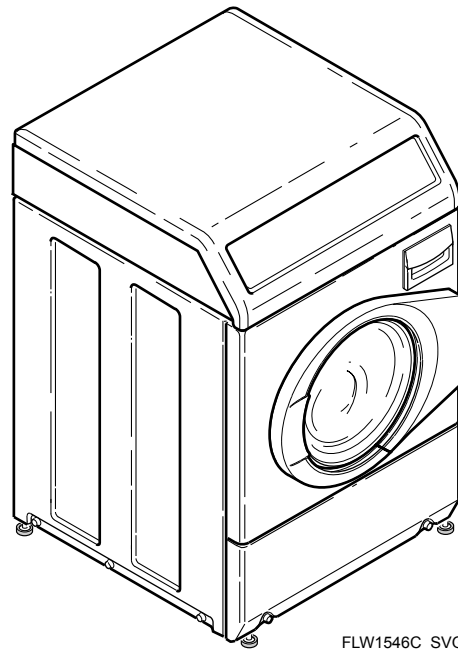


Frontload Washers

Installation/Operation




FLW1546C_SVG


Original Instructions

Keep These Instructions for Future Reference.

CAUTION: Read the instructions before using the machine.

(If this machine changes ownership, this manual must accompany machine.)

	WARNING
<p>Failure to install, maintain, and/or operate this machine according to the manufacturer's instructions may result in conditions which can produce bodily injury and/or property damage.</p>	
W030	

	WARNING
<p>For your safety and to reduce the risk of fire or an explosion, do not store or use gasoline or other flammable vapors and liquids in the vicinity of this or any other appliance.</p>	
W022	

NOTE: The WARNING and IMPORTANT instructions appearing in this manual are not meant to cover all possible conditions and situations that may occur. It must be understood that common sense, caution, and carefulness are factors which cannot be built into these washers. These factors MUST BE supplied by the person(s) installing, maintaining, or operating the unit.

Always contact the distributor, service agent, or the manufacturer about any problems or conditions you do not understand.



Read all instructions before using unit.

This product uses FreeRTOS V7.2.0 (www.freertos.org).

Capacity Specifications

These units are sold in various countries worldwide, many with different requirements for measuring the machine's capacity. The information below shows some of the accepted types of measure posted on this product.

Dry Linen Capacity: A measure of weight that defines the maximum load size that can physically be placed into the drum.

Wet Linen Capacity: A measure of weight that defines the maximum load size that can physically be placed into the drum with 50% moisture.

IEC Capacity: A measure of weight that defines the maximum capacity of dry linens and textiles which the manufacturer declares is able to be washed or dried in a specific cycle.

Dry Linen Capacity	10.5 kg [23 lb.]
Wet Linen Capacity	15 kg [33 lb.]
IEC Capacity - Country and Model dependent	9.5 kg [21 lb.] to 10.5 kg [23 lb.]

China Restriction of hazardous substances (RoHS)

The Table of Hazardous Substances/Elements and their Content

As required by China's Management Methods for Restricted Use of Hazardous Substances in Electrical and Electronic Products

Hazardous substances						
Part Name	Lead (Pb)	Mercury (Hg)	Cadmium (Cd)	Hexavalent Chromium (CR[VI])	Polybrominated biphenyls (PBB)	Polybrominated diphenyl ethers (PBDE)
PCBs	X	O	O	O	O	O
Electromechanical Parts	O	O	O	O	O	O
Cables and Wires	O	O	O	O	O	O
Metal Parts	O	O	O	OX	O	O
Plastic Parts	O	O	O	O	O	O
Batteries	O	O	O	O	O	O
Hoses and Tubing	O	O	O	O	O	O
Timing Belts	O	O	O	O	O	O
Insulation	O	O	O	O	O	O
Glass	O	O	O	O	O	O
Display	O	O	O	O	O	O

This table is prepared in accordance with the provisions of SJ/T-11364.

O: Indicates that the content of said hazardous substance in all of the homogenous materials in the component is within the limits required by GB/T 26572.

X: Indicates that the content of said hazardous substance exceeds the limits required by GB/T 26572 in at least one homogenous material in the component.

All parts named in this table with an "X" are in compliance with the European Union's RoHS Legislation.

NOTE: The referenced Environmental Protection Use Period Marking was determined according to normal operating use conditions of the product such as temperature and humidity.



This product under normal use, durable years of environmental protection is 15 years.

Table of Contents

China Restriction of hazardous substances (RoHS)	4
Safety Information	7
Explanation of Safety Messages.....	7
Important Safety Instructions.....	7
Dimensions and Specifications	9
Installation	11
Before You Start.....	11
Tools.....	11
OPL Models.....	11
Order of Installation Steps.....	11
Position Unit Near Installation Area.....	11
Remove Shipping Materials.....	12
Connect Fill Hoses.....	12
Water Supply Requirements.....	13
Connecting Hoses.....	13
Install Washer Electrical Cord.....	14
Non-Gravity Drain Models - Connect Drain Hose to Drain Receptacle.....	15
Standpipe Installation.....	15
Gravity Drain Models - Connect Drain Outlet to Drain System.....	16
Position and Level the Washer.....	17
Wipe Out Inside of Wash Drum.....	17
Connect the Washer to Electrical Power.....	17
Electrical Requirements.....	18
Earth/Ground Instructions.....	18
Check Installation.....	18
Operation	19
Operation Instructions.....	19
Load Laundry.....	19
Close Loading Door.....	19
Add Laundry Supplies.....	19
Set Fabric Selector/Wash Temperature (°C).....	20
Set Soil Level.....	20
Start Washer.....	20
Indicator Lights.....	20
Maintenance	22
User-Maintenance Instructions.....	22

© Published by permission of the copyright owner.


All rights reserved. No part of the contents of this book may be reproduced or transmitted in any form or by any means without the expressed written consent of the publisher.


Lubrication.....	22
Cold Weather Care.....	22
Care of Your Washer.....	22
Cleaning Glass Sealing Area.....	22
Replacing Hoses.....	22
Filter Screens.....	22
Extended Non-Use.....	22
Cleaning Foreign Object Trap.....	22
Reinstallation of Shipping Materials.....	23
Troubleshooting.....	24
Contact Information.....	26
Installer Checklist.....	27


Safety Information

Explanation of Safety Messages

Precautionary statements (“DANGER,” “WARNING,” and “CAUTION”), followed by specific instructions, are found in this manual and on machine decals. These precautions are intended for the personal safety of the operator, user, servicer, and those maintaining the machine.

	DANGER
Indicates an imminently hazardous situation that, if not avoided, will cause severe personal injury or death.	

	WARNING
Indicates a hazardous situation that, if not avoided, could cause severe personal injury or death.	

	CAUTION
Indicates a hazardous situation that, if not avoided, may cause minor or moderate personal injury or property damage.	


Additional precautionary statements (“IMPORTANT” and “NOTE”) are followed by specific instructions.

IMPORTANT: The word “IMPORTANT” is used to inform the reader of specific procedures where minor machine damage will occur if the procedure is not followed.

NOTE: The word “NOTE” is used to communicate installation, operation, maintenance or servicing information that is important but not hazard related.

Important Safety Instructions

Save These Instructions

	WARNING
To reduce the risk of fire, electric shock, serious injury or death to persons when using your washer, follow these basic precautions:	
W023	

- Read all instructions before using the washer.
- Install the washer according to the INSTALLATION INSTRUCTIONS. Refer to the EARTH/GROUND INSTRUCTIONS in the INSTALLATION manual for the proper earth/ground connection of the washer. All connections for water, drain, electrical power and earth/ground must comply with local codes and be made by licensed personnel when required. Do not do it yourself.
- Do not install or store the washer where it will be exposed to water and/or weather.
- Do not add the following substances or textiles containing traces of the following substances to the wash water: gasoline, kerosene, waxes, cooking oils, vegetable oils, machine oils, dry-cleaning solvents, flammable chemicals, thinners or other flammable or explosive substances. These substances give off vapors that could ignite, explode or cause the fabric to catch on fire by itself.
- Under certain conditions, hydrogen gas may be produced in a hot water system that has not been used for two weeks or more. HYDROGEN GAS IS EXPLOSIVE. If the hot water system has not been used for such a period, before using a washing machine or combination washer-dryer, turn on all hot water faucets and let the water flow from each for several minutes. This will release any accumulated hydrogen gas. THE GAS IS FLAMMABLE, DO NOT SMOKE OR USE AN OPEN FLAME DURING THIS TIME.
- To reduce the risk of an electric shock or fire, DO NOT use an extension cord or an adapter to connect the washer to the electrical power source.
- Do not allow children to play on or in the washer. Close supervision of children is necessary when the washer is used near children. This appliance is not intended for use by persons (including children) with reduced physical, sensory or mental capabilities, or lack of experience and knowledge, unless they have been given supervision or instruction concerning the use of the appliance by a person responsible for their safety. This is a safety rule for all appliances.
- Cleaning and user maintenance shall not be made by children without supervision.

Safety Information

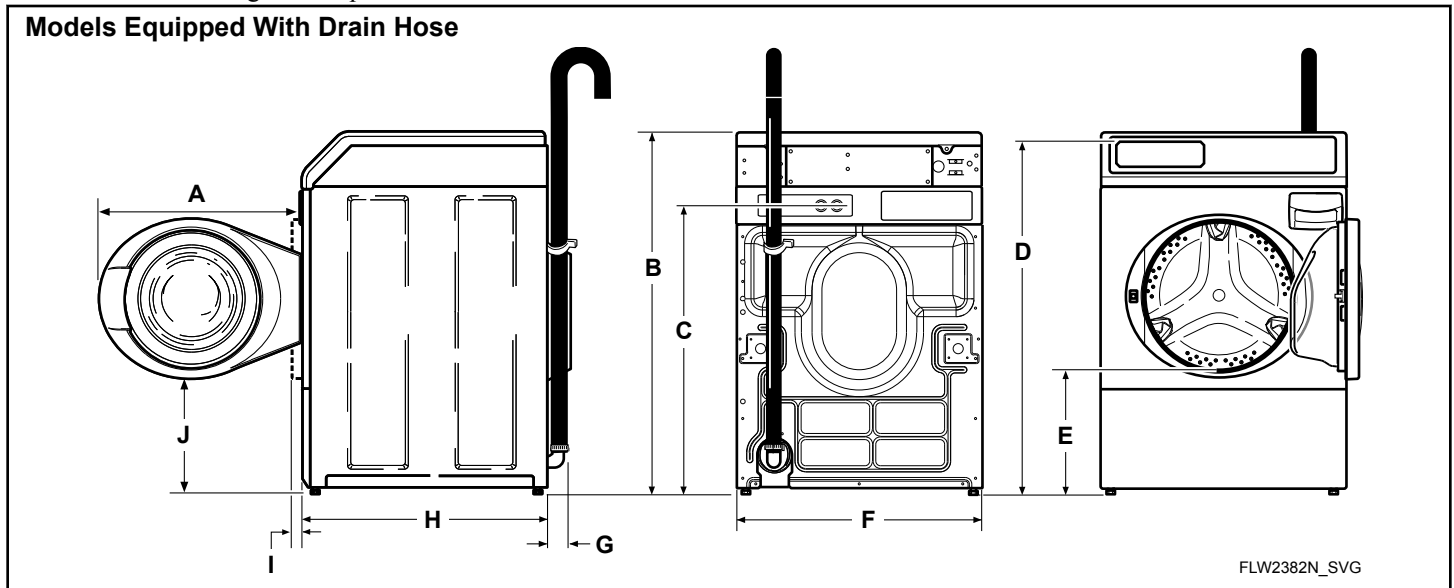
- Children less than three years should be kept away unless continuously supervised.
- Do not reach into the washer if the washtub or agitator, if applicable, is moving.
- Never operate the washer with any guards, panels and/or parts removed or broken. DO NOT tamper with the controls or bypass any safety devices.
- DO NOT operate individual units if they have been separated from a stack unit.
- Use your washer only for its intended purpose, washing clothes. Always follow the fabric care instructions supplied by the garment manufacturer.
- Always read and follow manufacturer's instructions on packages of laundry and cleaning aids. To reduce the risk of poisoning or chemical burns, keep them out of the reach of children at all times (preferably in a locked cabinet). Heed all warnings or precautions.
- Do not use fabric softeners or products to eliminate static unless recommended by the manufacturer of the fabric softener or product.
- Loading door MUST BE CLOSED any time the washer is to fill, tumble or spin. DO NOT bypass the loading door switch by permitting the washer to operate with the loading door open.
- Be sure water connections have a shut-off valve and that fill hose connections are tight. CLOSE the shut-off valves at the end of each wash day.
- Keep your washer in good condition. Bumping or dropping the washer can damage safety features. If this occurs, have your washer checked by a qualified service person.
- Do not repair or replace any part of the washer, or attempt any servicing unless specifically recommended in the user-maintenance instructions or in published user-repair instructions that you understand and have the skills to carry out. ALWAYS disconnect the washer from electrical supply before attempting any service.
- Disconnect the power cord by grasping the plug, not the cord. If the supply cord is damaged, it must be replaced by the manufacturer, its service agent or similarly qualified persons in order to avoid a hazard.
- Before the washer is removed from service or discarded, remove the lid or door to the washing compartment.
- Failure to install, maintain, and/or operate this washer according to the manufacturer's instructions may result in conditions which can produce bodily injury and/or property damage.

NOTE: The WARNING and IMPORTANT SAFETY INSTRUCTIONS appearing in this manual are not meant to cover all possible conditions and situations that may occur. Observe and be aware of other labels and precautions that are located on the machine. They are intended to provide instruction for safe use of the machine. Common sense, caution and care must be exercised when installing, maintaining, or operating the washer.

Always contact your dealer, distributor, service agent or the manufacturer about any problems or conditions you do not understand.

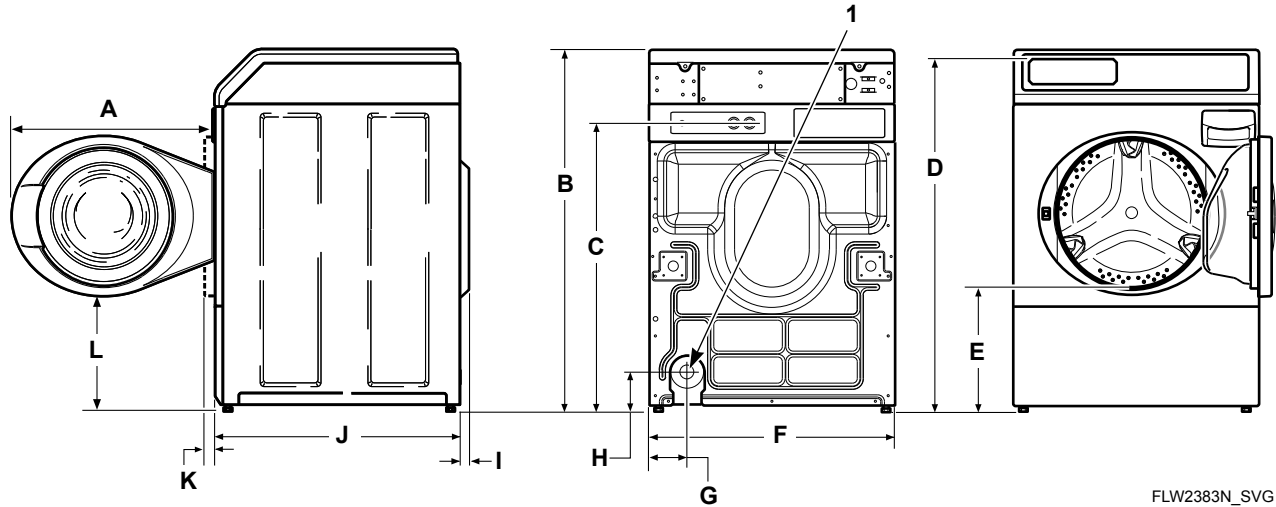
Dimensions and Specifications

The workstation average sound pressure level is 68.7 dBA.



A	611 mm [24.06 in.]
B	1027 mm [40.42 in.]
C	813 mm [32 in.]
D	1006 mm [39.61 in.]
E	371 mm [14.6 in.]
F	683 mm [26.875 in.]
G	52 mm [2.04 in.]
H	704 mm [27.73 in.]
I (with door closed)	40 mm [1.59 in.]
J	333 mm [13.1 in.]

Models With Gravity Drain



FLW2383N_SVG

1. 38 mm [1.5 in.] Inside Diameter; 47 mm [1.86 in.] Outside Diameter

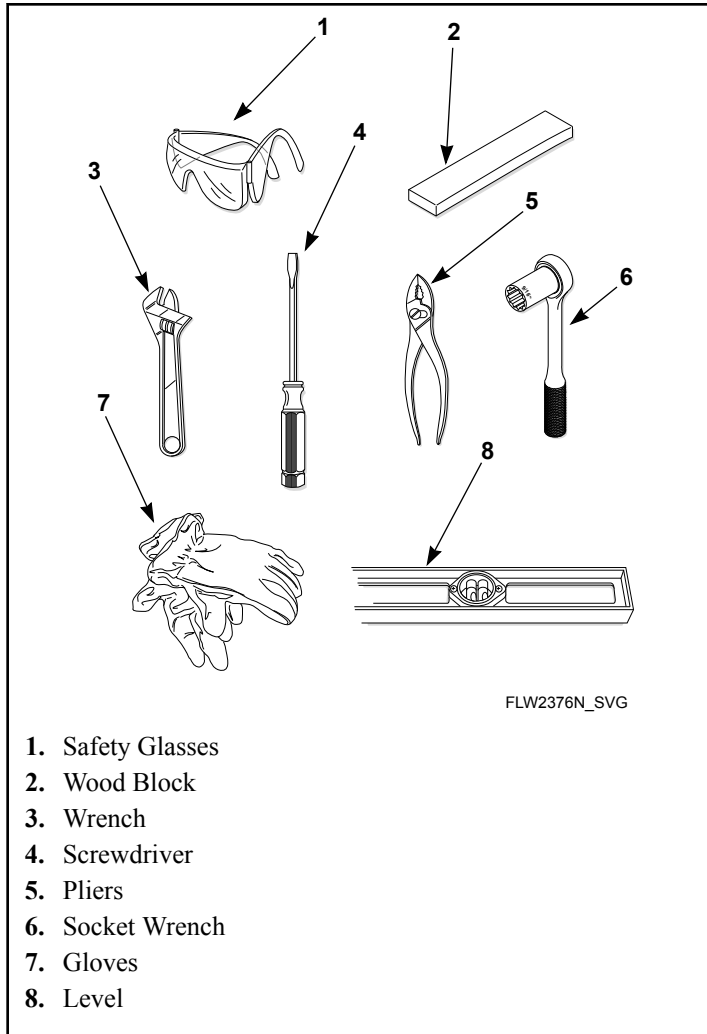
A	611 mm [24.06 in.]
B	1027 mm [40.42 in.]
C	813 mm [32 in.]
D	1006 mm [39.61 in.]
E	371 mm [14.6 in.]
F	683 mm [26.875 in.]
G	107 mm [4.2 in.]
H	104 mm [4.1 in.]
I	52 mm [2.04 in.]
J	704 mm [27.73 in.]
K (with door closed)	40 mm [1.59 in.]
L	333 mm [13.1 in.]

Installation

Before You Start

Tools

For most installations, the basic tools you will need are:



1. Safety Glasses
2. Wood Block
3. Wrench
4. Screwdriver
5. Pliers
6. Socket Wrench
7. Gloves
8. Level

Figure 1

NOTE: An 20.32 cm [8 in.] coin drawer is required for coin operated models.

NOTE: If the washer is delivered on a cold day (below freezing), or is stored in an unheated room or area during the cold months, do not attempt to operate it until the washer has had a chance to warm up.

NOTE: Install dryer before washer. This allows room for attaching exhaust duct.

NOTE: Some moisture in the wash drum is normal. Water is used during testing at the manufacturer.

NOTE: This appliance is suitable for use in countries having a warm, damp climate.

OPL Models

The machine is shipped from the factory with the Electronic Control Diagnostic Harness Assembly unplugged. To avoid unauthorized manual programming perform the following steps.

1. Open control panel.
2. Locate diagnostic harness on electronic control.
3. Plug connectors for “white/black” wire and “red/ blue” wire together.

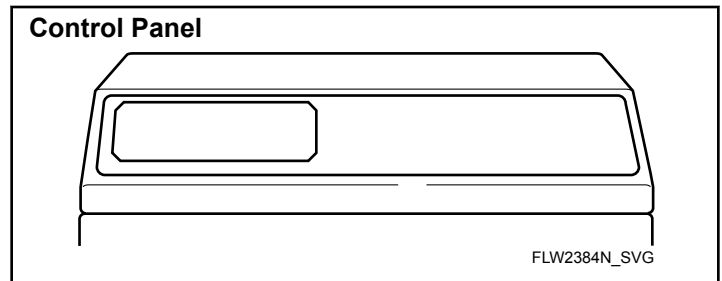


Figure 2

Order of Installation Steps

The proper order of steps must be followed to ensure correct installation. Refer to the list below when installing your unit.

1. Position washer near the installation area.
2. Remove the shipping materials.
3. Connect the fill hoses.
4. Install the washer's electrical cord.
5. For non-gravity drain models, connect the drain hose to the drain receptacle.
6. For gravity drain models, connect the drain outlet to the drain system.
7. Position and level the washer.
8. Wipe out inside of the washer.
9. Connect the washer to electrical power.
10. Check installation.

Position Unit Near Installation Area

Move unit so that it is within 1.2 meters [4 feet] of the desired area of installation.

NOTE: For best performance and to minimize vibration or movement, install washer on a solid, sturdy and level floor. Some floors may need to be reinforced, especially on a second floor or over a basement. Do not install the washer on carpeting, soft tile or other weakly supported structures.

Remove Shipping Materials

1. Remove two screws at bottom of front access panel. Rotate bottom of panel out and remove panel.

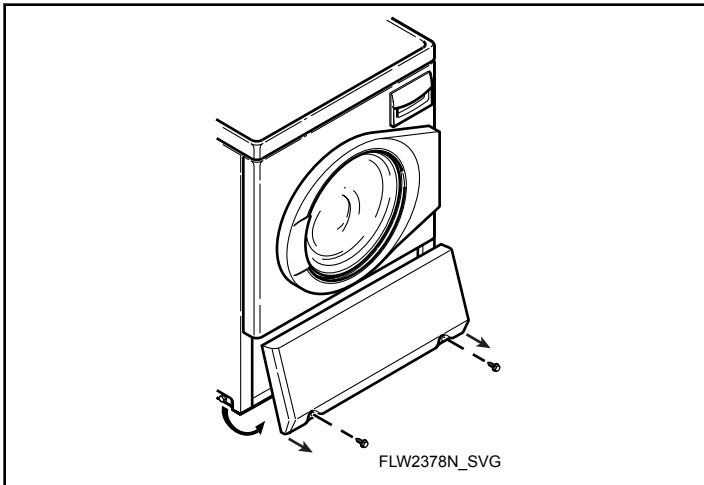


Figure 3

2. Remove two 9/16 inch bolts and washers holding shipping brace to weight.
3. Remove two 9/16 inch bolts and washers holding shipping brace to washer base and remove brace.

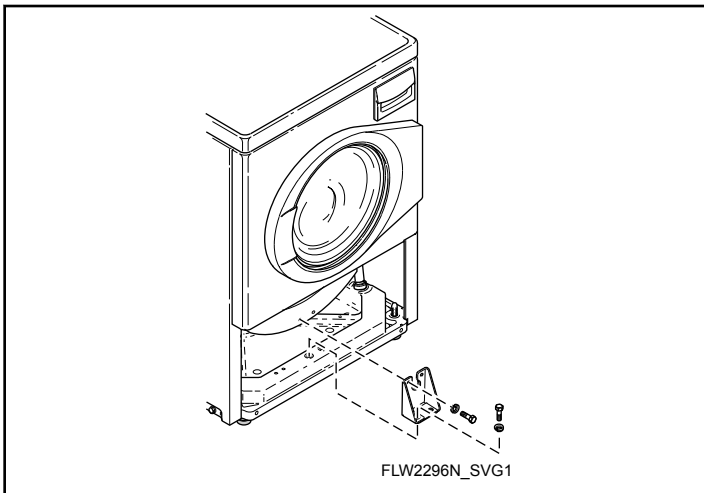


Figure 4

4. Go to rear of washer and pull label from rear shipping bolts.
5. Remove two 9/16 inch bolts. Unscrew each bolt while applying forward pressure just until bolt stops unthreading. Work each bolt and spacer out by hand using a circular motion.

NOTE: Avoid backing bolts out completely or spacers might fall into cabinet.

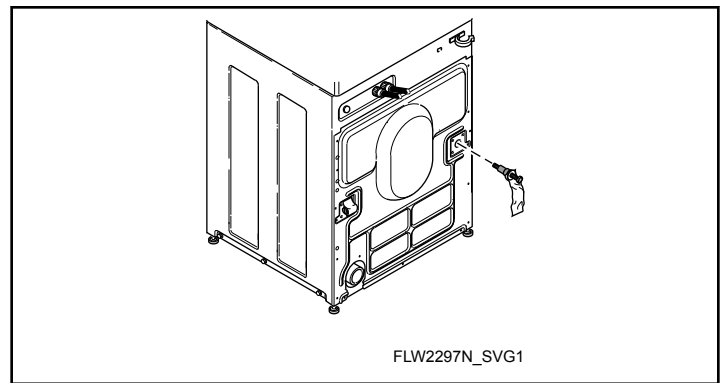


Figure 5

6. Insert two plugs included in accessories bag into rear shipping bolt holes.

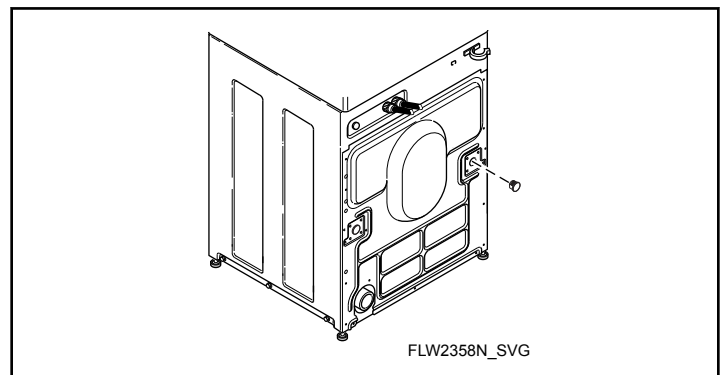


Figure 6

7. Replace front access panel.
8. Save all shipping materials. They must be reinstalled any time washer is moved more than four feet.

IMPORTANT: Do not lift or transport unit from front or without shipping materials installed. Refer to the Maintenance section for proper instructions on reinstalling the shipping materials.

Connect Fill Hoses



WARNING

Under certain conditions, hydrogen gas may be produced in a hot water system that has not been used for two weeks or more. HYDROGEN GAS IS EXPLOSIVE. If the hot water system has not been used for such a period and before using the washer, turn on all hot water faucets and let the water flow from each for several minutes. This will release any accumulated hydrogen gas. The gas is flammable. Do not smoke or use an open flame during this time.


W029

Water Supply Requirements

Water supply faucets must fit standard 19 mm [3/4 inch] female garden hose couplings. **DO NOT USE SLIP-ON OR CLAMP-ON CONNECTIONS.**

NOTE: Water supply faucets should be readily accessible to permit turning them off when washer is not being used.

Recommended cold water temperature is 10° to 24° Celsius [50° to 75° Fahrenheit]. Recommended maximum hot water temperature is 51° Celsius [125° Fahrenheit]. Warm water is a mixture of hot and cold water. Warm water temperature is dependent upon the water temperature and the pressure of both the hot and cold water supply lines.

	WARNING
<p>To prevent personal injury, avoid contact with inlet water temperatures higher than 51° Celsius [125° Fahrenheit] and hot surfaces.</p>	
W748	

Maximum flow rate for all water temperatures is 9.46 liters per minute [2.5 gallons per minute] ± 15%.

Water pressure must be a minimum of 138 to a maximum of 827 kPa [minimum of 1.4 bar to a maximum of 8.3 bar] static pressure measured at the faucet.

NOTE: Water pressure under 138 kPa [20 pounds per square inch] will cause an extended fill time in the washer and may not properly flush out the detergent dispenser.

The appliance is to be connected to the water mains using new hose-sets and the old hose-sets should not be reused.

Turn on the water supply faucets and flush the lines for approximately two minutes to remove any foreign materials that could clog the screens in the water mixing valve. This is especially important when installing your washer in a newly constructed or renovated building. Build-up may have occurred during construction.

Connecting Hoses

1. Insert rubber washers and filter screens (from accessories bag) in water fill hose couplings (two hoses supplied with washer). The filter screen must be facing outward.

Models Through Serial Nos. Beginning 1810:

NOTE:

If using black rubber hoses with black and brass couplings: Insert filter screens into the BLACK colored hose couplings (BSPP thread). Insert rubber washers

into the brass colored hose couplings (Garden Hose Thread [GHT]).

If using gray braided hoses with silver hose couplings (one with hex nut): Insert filter screens into the hex nut shaped hose couplings (BSPP thread). Insert rubber washers into the knurled, round shaped hose couplings (GHT).

Models Starting Serial Nos. Beginning 1810:

NOTE: Water mixing valve connections at rear of washer are BSPP thread. Both hose couplings on fill hoses included with machine are also BSPP thread.

2. Connect fill hose couplings with filter screens to water supply faucets.
3. Connect the other hose couplings to the hot and cold valve connections at the rear of the washer.

Models Through Serial Nos. Beginning 1810:

NOTE:

If using black rubber hoses with black and brass couplings: Connect the BLACK colored hose coupling (BSPP thread) end of the fill hoses (with filter screens) to the water supply faucets. Then connect end of hoses with the brass colored hose couplings (GHT) to the hot and cold water mixing valve connections at rear of washer.

If using gray braided hoses with silver hose couplings (one with hex nut): Connect the hex nut shaped hose couplings (BSPP thread, with filter screens) to the water supply faucets. Then connect couplings with knurled, round shaped couplings (GHT) to the hot and cold water mixing valve connections at rear of washer.

Models Starting Serial Nos. Beginning 1810:

NOTE: Water mixing valve connections at rear of washer are BSPP thread. Both hose couplings on fill hoses included with machine are also BSPP thread.

4. Make sure the hose from the hot water faucet goes to the water mixing valve marked "H" and the hose from the cold faucet goes to the valve marked "C".
5. Thread hose couplings onto valve connections finger tight. Then turn 1/4 turn with pliers.

IMPORTANT: DO NOT cross thread or overtighten couplings. This will cause them to leak.

6. Turn water on and check for leaks.
7. If leaks are found, retighten the hose couplings.
8. Continue tightening and rechecking until no leaks are found.

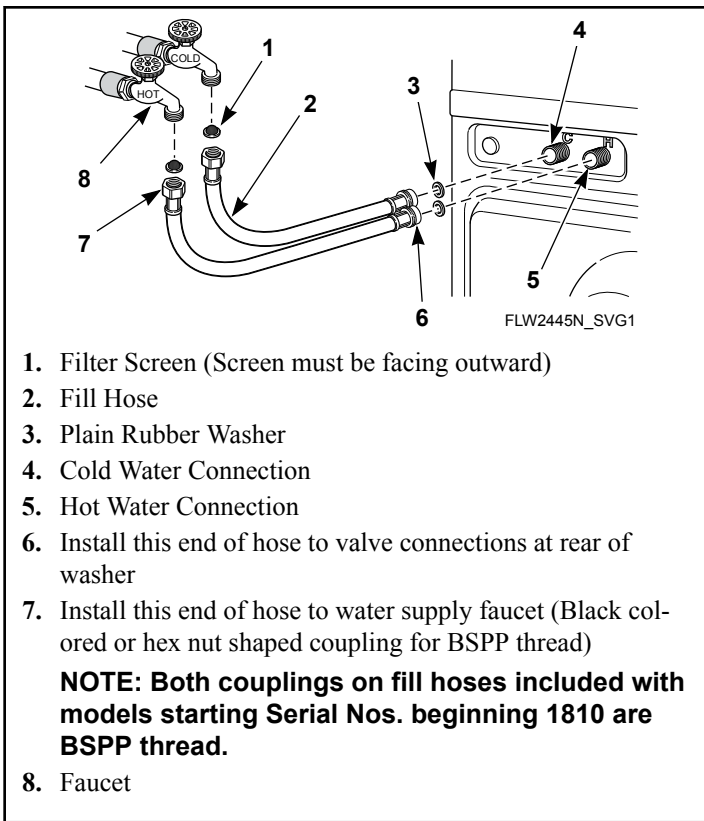


Figure 7

IMPORTANT:

Hoses and other rubber parts deteriorate after extended use. Hoses may develop cracks, blisters or material wear from the temperature and constant high pressure they are subjected to.

All hoses should be checked on a monthly basis for any visible signs of deterioration. Any hose showing the signs of deterioration listed above should be replaced immediately. All hoses should be replaced every five years.

IMPORTANT: Turn off water supply faucets after check-out and demonstration. Owner should turn off water supply whenever there will be an extended period of non-use.

Install Washer Electrical Cord

400 Volt, 50 Hertz, 9.8 Amp

NOTE: Refer to 7-14-190 conversion instructions for 400 Volt, 3-Phase WYE, 4 wire plus earth, 9.8 Amp to 230 Volt, 3-Phase DELTA, 3 wire plus earth conversion instructions. Refer to Kit 805832 for converting to 230 Volt, Single-Phase, 2 wire plus earth, 21 Amp connection.

Have a qualified electrician install appropriate electrical receptacle.

To attach electrical cord supplied with machine (400 Volt WYE):

1. Remove electrical access panel on rear of machine.
2. Remove plastic plug from hole in rear of machine.
3. Install strain relief, supplied with machine, in hole.
4. Put power cord through hole.

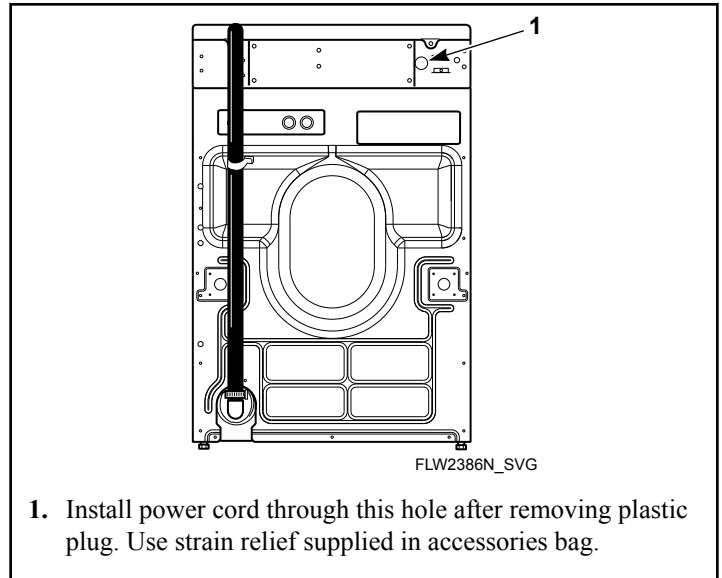


Figure 8

5. Attach power cord wires as shown in *Figure 9*.
6. Tighten down the strain relief (supplied with unit) on the power cord.
7. Reinstall access panel.

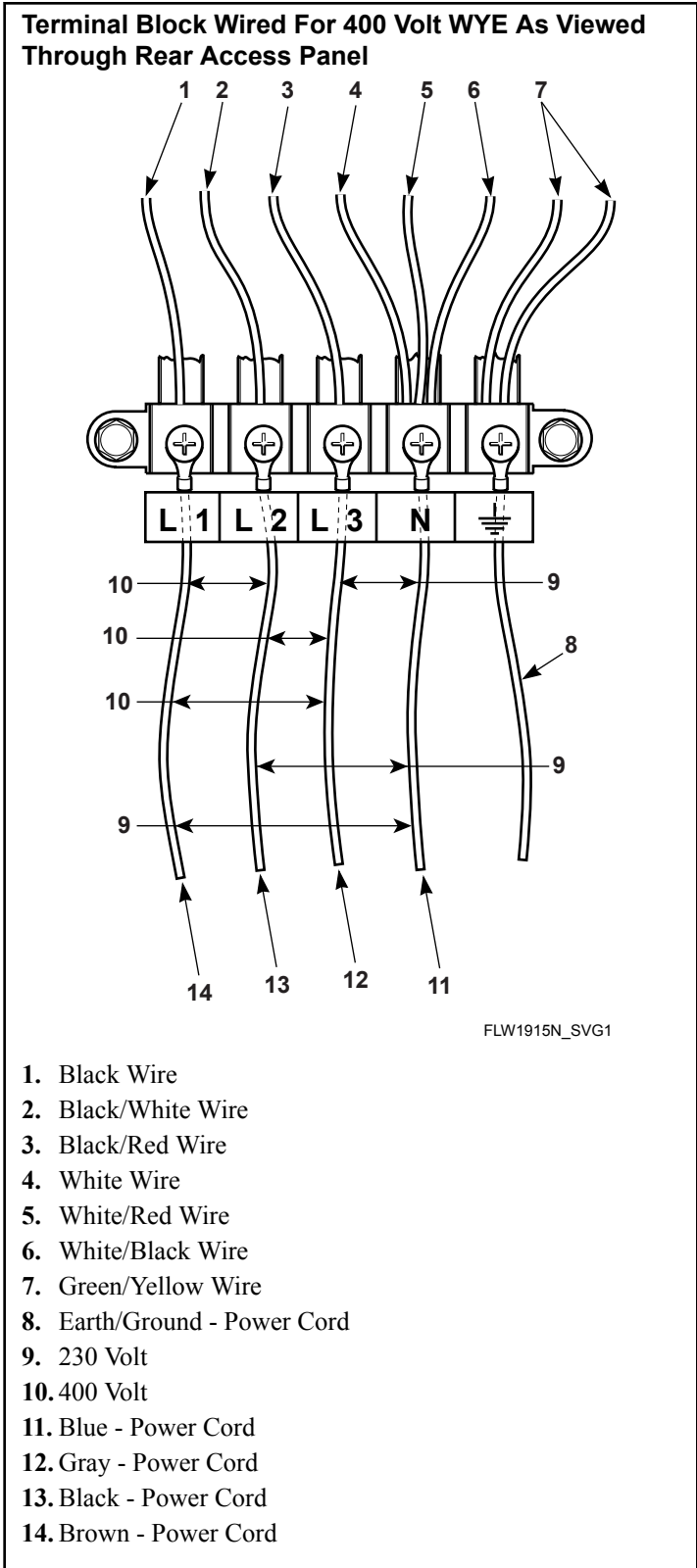


Figure 9

Non-Gravity Drain Models - Connect Drain Hose to Drain Receptacle

Remove the drain hose from its shipping position on the rear of the washer by removing the shipping tape.

IMPORTANT: Drain receptacle must be capable of handling a minimum of 35 mm [1-3/8 inch] outside diameter drain hose.

Drain Flow Rate	
Drain Height	Flow Rate liters per minute [gal- lons per minute]
0.9 m [3 ft.]	27.7 [7,3]
1.5 m [5 ft.]	17.8 [4.7]
1.8 m [6 ft.]	13.4 [3.5]
2.1 m [7 ft.]	4.8 [1.3]
2.4 m [8 ft.]	0 [0]

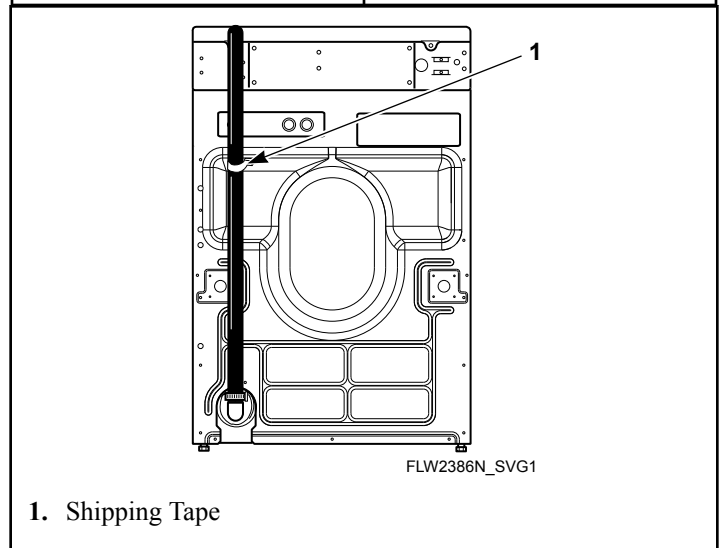


Figure 10

Standpipe Installation

- Place the drain hose into the standpipe.
- Remove the beaded tie-down strap from accessories bag and place around standpipe and drain hose and tighten strap to hold hose to standpipe. Refer to *Figure 11*. This will prevent the drain hose from dislodging from drain receptacle during use.
- If hose does not fit securely in standpipe because it is too long:
 - Remove hose clamp attaching it to washer.
 - Cut hose to desired length.

c. Reattach hose and hose clamp.

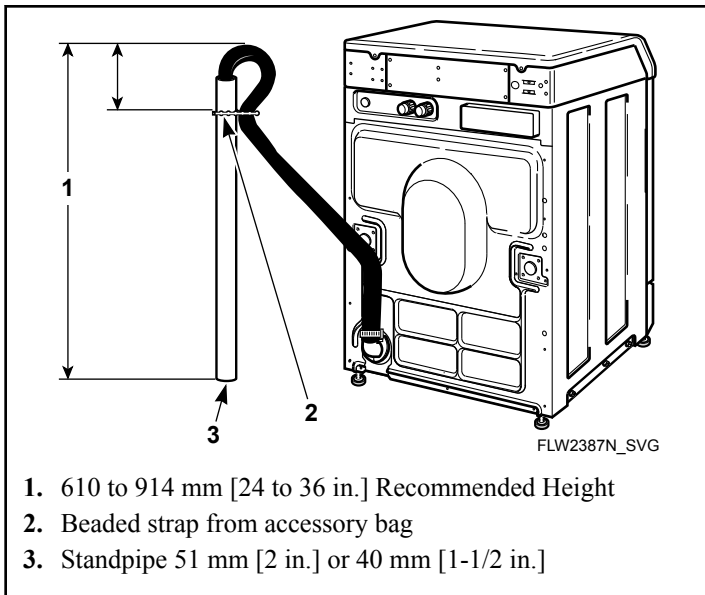


Figure 11

Gravity Drain Models - Connect Drain Outlet to Drain System

Maximum flow rate is 90.8 liters/minute [24 gallons/minute].
Flow rates will vary with load type.

1. Remove drain fitting (102 mm [4 inches] long) and hose clamp from accessories bag. Insert drain fitting into drain outlet hose. Clamp hose and fitting.
2. Connect the drain fitting to a vented drain system using a flexible connection (obtain locally). Inside diameter of fitting is 39 mm [1.53 in.] and outside diameter is 42 mm [1.66 in.].
3. The drain system must be vented to prevent an air lock or siphoning.

IMPORTANT: Increasing the drain hose length, installing elbows, or causing bends will decrease drain flow rates and increase drain times, impairing machine performance.

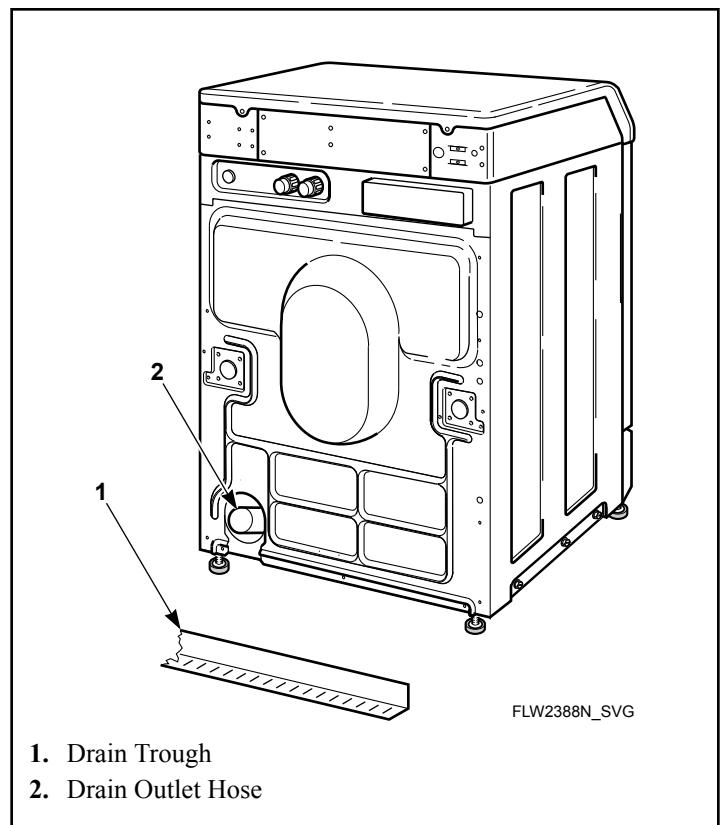


Figure 12

Position and Level the Washer



WARNING

Washers elevated above floor level must be anchored to that elevated surface, base or platform. The material used to elevate the washer should also be anchored to the floor to ensure that the washer will not walk or that the washer can not be physically pulled, tipped or slid from its installed position. Failure to do so may result in conditions which can produce serious injury, death and/or property damage.

W306

1. Position unit so it has sufficient clearance for installation and servicing.

NOTE: Use of the dispenser drawer or washer door as a handle in the transportation of the washer may cause damage to the dispenser or door.

2. Place unit in position on a solid, sturdy and level floor. Installing the unit on any type of carpeting, soft tile or other weakly supported structures is not recommended.
3. Place a level on the raised portion of cabinet top and check if the unit is level from side to side and front to back.
4. If unit is not level, tilt unit to access the front and rear leveling legs. For easier access to leveling legs, prop up unit with a wooden block.
5. Loosen 7/8 in. locknut and adjust legs by screwing into or out of unit base until the unit is level from side to side and front to back (using a level). Unit should not rock.

NOTE: Leveling legs can also be adjusted from inside the unit using an adjustable wrench.

6. Tighten the locknuts securely against the unit base. If the locknuts are not tight, unit will move out of position during operation.

NOTE: DO NOT slide unit across floor if the leveling legs have been extended. Legs and base could become damaged.

7. Remove rubber feet from accessories bag and place on all four leveling legs.
8. Verify that unit doesn't rock.

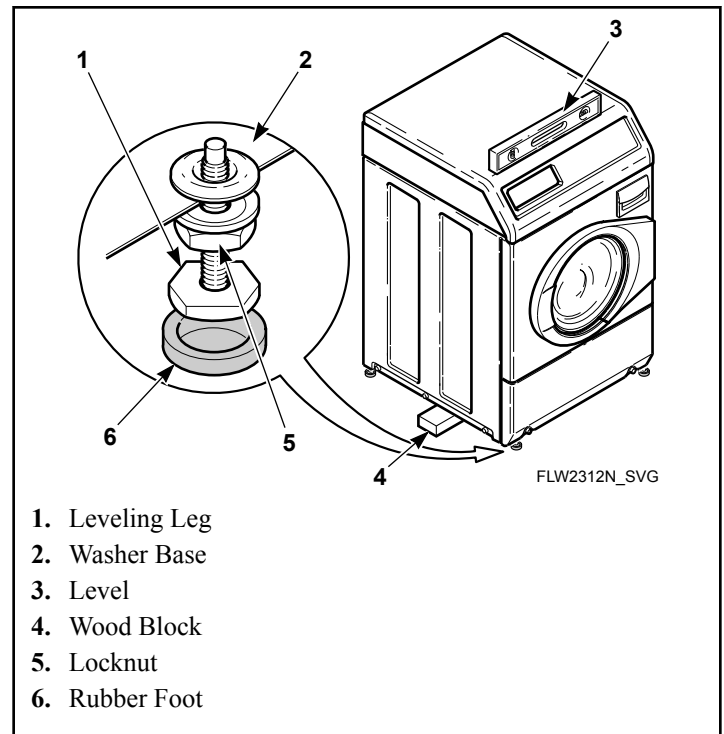


Figure 13

Wipe Out Inside of Wash Drum

Prior to first wash, use an all purpose cleaner or a detergent and water solution and a damp cloth to remove shipping dust from inside of the washer.

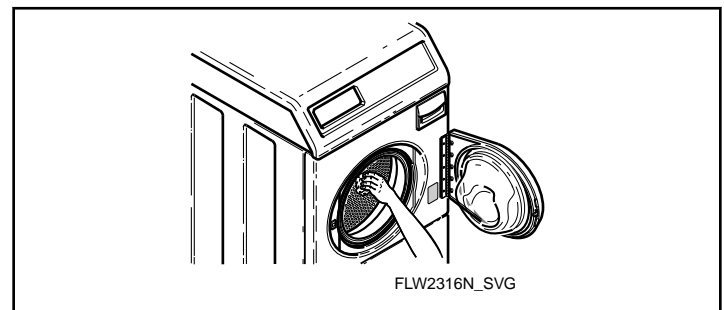


Figure 14

Connect the Washer to Electrical Power

This appliance is to be supplied through a residual current device (RCD) having a rated residual operating current not exceeding 30 mA.



WARNING

The appliance must not be supplied through an external switching device, such as a timer, or connected to a circuit that is regularly switched on and off by a utility.


W943

Electrical Requirements

400 Volt, 50 Hertz, 9.8 Amp

NOTE: This washer is factory-wired for a 400 Volt electrical supply.

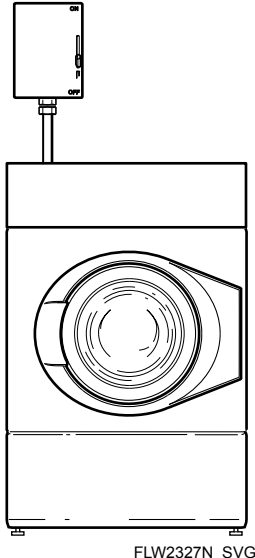
NOTE: The wiring diagram is located in the control cabinet.

	WARNING
<p>To reduce the risk of fire, electric shock, serious injury or death, all wiring and protective earth/ground connections MUST abide with local electrical codes. It is the customer's responsibility to have the wiring, fuses and circuit breakers installed by a qualified electrician to make sure adequate electrical power is available to the washer.</p>	
W882	

When connecting the washer to electrical power:

- DO NOT overload circuits.
- DO NOT use an extension cord.
- DO NOT use an adapter.
- DO NOT operate other appliances on the same circuit.

Machine Must Be Hard Wired



FLW2327N_SVG


NOTE: Electrical disconnect must be located so that it is easily accessible with machine in place. Machine must be hard wired. An intermediate shut-off box that provides all pole disconnection from the supply mains must be used in compliance with all local electrical codes.

Figure 15


Earth/Ground Instructions

This appliance must be properly connected to protective earth/ground. In the event of malfunction or breakdown, the earth/ground will reduce the risk of electric shock by providing a path of least resistance for electric current.

The washer must be hard wired into an appropriate power source that is properly installed and connected to a protective earth/ground in accordance with all local codes and ordinances.

	WARNING
<p>Improper connection of the equipment earth/ground conductor can result in a risk of electric shock. Check with a qualified electrician or service person if you are in doubt as to whether the washer is properly connected to a protective earth/ground.</p>	
W822	

If the laundry room's electrical supply does not meet the above specifications and/or if you are not sure the laundry room has an effective earth/ground, have a qualified electrician or your local electrical utility company check it and correct any problems.

	WARNING
<p>Any disassembly requiring the use of tools must be performed by a suitably qualified service person.</p>	
W299	

Check Installation

1. Refer to Installer Checklist on the back cover of this manual and make sure that unit is installed correctly.
2. Run washer with a test load to make sure it is operating properly and properly leveled.
 - a. Put about six pounds of laundry (four bath towels and three jeans) into washer.
 - b. Close door.
 - c. Rapid advance to the final spin part of the cycle.
 - d. When washer spins at high speed, verify that it is stable.
 - e. If it is not, after cycle is complete, refer to Position and Level the Washer to readjust leveling legs.

Operation

Operation Instructions

IMPORTANT: Prior to first wash, use an all-purpose cleaner, or a detergent and water solution, and a damp cloth to remove shipping dust from inside of washer.

IMPORTANT: Remove all sharp objects from laundry to avoid tears and rips to items during normal machine operation.

Load Laundry

1. Load items loosely into wash drum.

NOTE: Small items such as baby socks may get caught around the door. Place these articles inside a mesh garment bag.

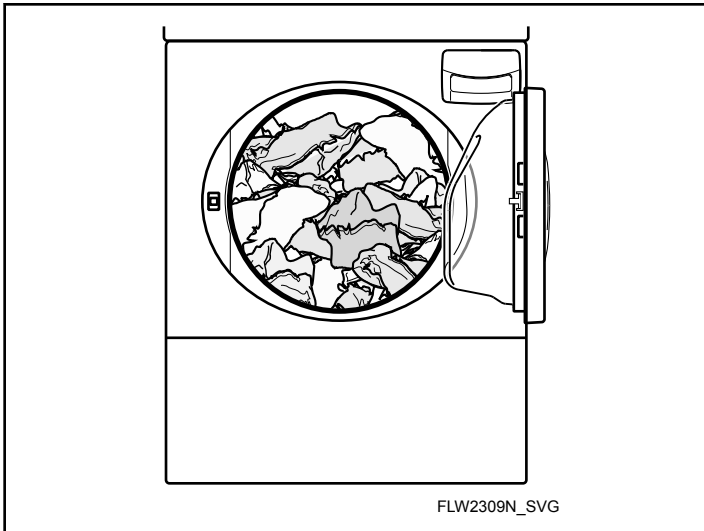


Figure 16

2. When washing bulky items such as blankets and comforters, use the DELICATES/BULKY cycle. The cycle includes agitation and final spin speeds that maintain the load's balance and minimize wear to the articles.

NOTE: Different fabrics will have different densities and loads must be adjusted accordingly to meet machine loading specifications shown.

Close Loading Door

Close loading door tightly. The washer will not operate with the loading door open.

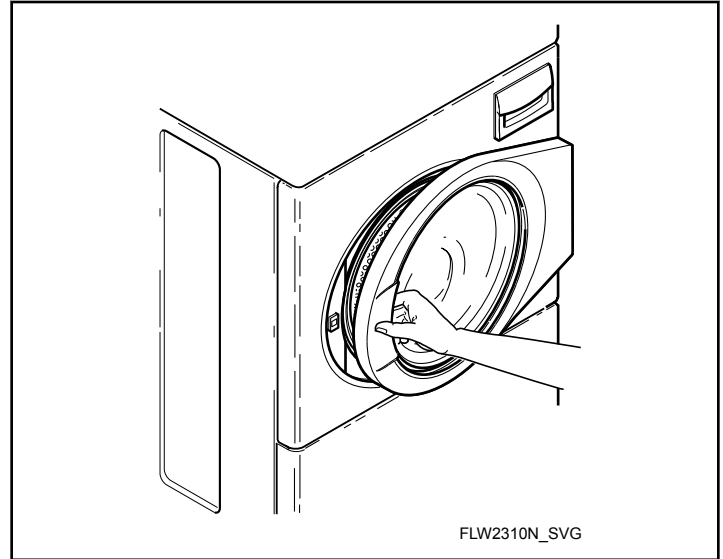


Figure 17

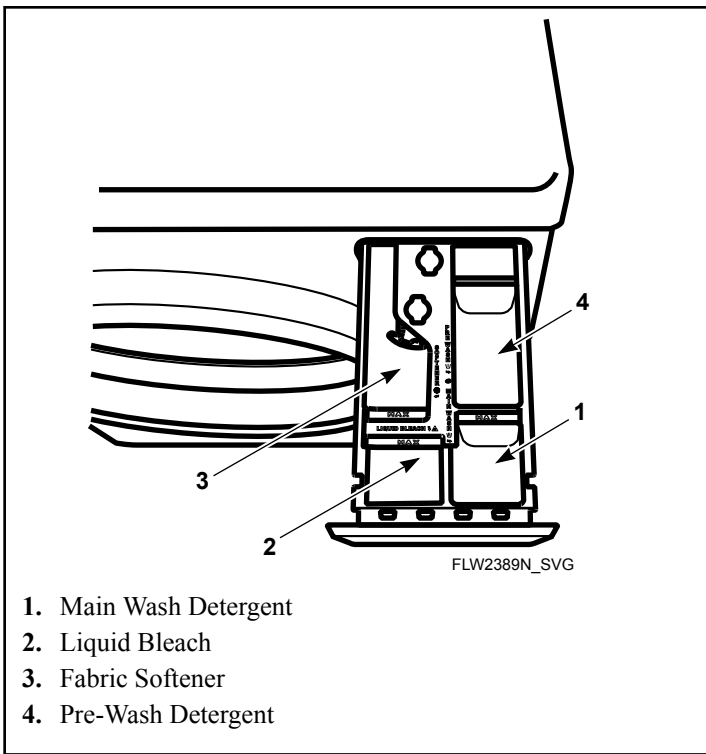
Add Laundry Supplies

1. Open dispenser drawer.
2. Measure and add low sudsing, high efficiency (HE) main wash detergent (1), bleach (2), fabric softener (3) and pre-wash detergent (4) to the dispenser drawer.

IMPORTANT: If using single-load laundry detergent packets or 3-in-1 laundry sheets, **DO NOT** place them in the dispenser drawer. Place them directly in the wash drum with clothes.

IMPORTANT: If using non-HE detergent, avoid over-sudsing by using 1/2 of the detergent manufacturer's recommended amount.

3. Close dispenser drawer.









1. Main Wash Detergent
2. Liquid Bleach
3. Fabric Softener
4. Pre-Wash Detergent

Figure 18

Set Fabric Selector/Wash Temperature (°C)

Push touchpad for desired cycle. Light indicates selection.

 FLW82R_SVG	NORMAL 90
 FLW83R_SVG	NORMAL 60
 FLW84R_SVG	NORMAL 40
 FLW85R_SVG	PERM PRESS 60
 FLW86R_SVG	DELICATES 30
 FLW87R_SVG	DELICATES COLD (temperature of water from tap)

NOTE: Changes can be made to Fabric Selector setting up until the first fill is complete.

Set Soil Level

Push Soil Level touchpads to select A, B or C. Light indicates selection.

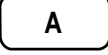
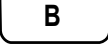
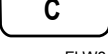
 FLW79R_SVG	LIGHT
 FLW80R_SVG	MEDIUM
 FLW81R_SVG	HEAVY

Table 1

Start Washer

Push the START pad.

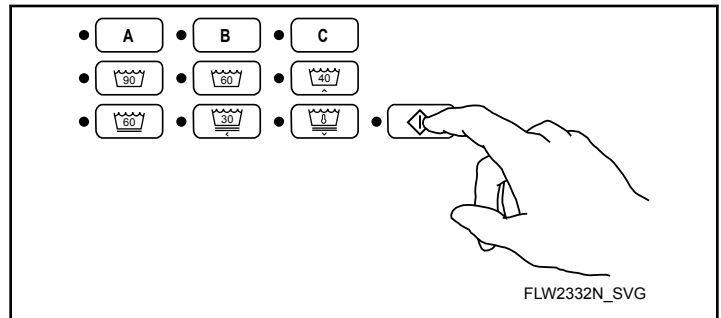



Figure 19

Indicator Lights

WASH	WASH is lit during the WASH portions of the cycle.
RINSE	RINSE is lit during the RINSE portions of the cycle.
SPIN	SPIN is lit during the final spin portion of the cycle.
DOOR	DOOR is lit whenever the door is locked. The door cannot be opened when this light is on.
START	START flashes one second on and one second off when the full vend price has been satisfied.

IMPORTANT: If washer fails to operate properly after installation, make sure electrical service and water supply faucets are turned on. Are all the controls properly set? Have a qualified service person refer to the wiring diagram (located inside of washer control cabinet) and check for broken, loose or incorrect wiring.

NOTE: Once a cycle has started, the door can only be opened by first unplugging the power cord and waiting one minute.

	WARNING
<p>To reduce the risk of bodily injury, do not remove laundry from washer until all lights are out, and all moving parts have stopped.</p>	
<small>W092</small>	

Maintenance

User-Maintenance Instructions

Lubrication

All moving parts are sealed in a permanent supply of lubricant or are equipped with oilless bearings. Additional lubrication will not be necessary.

Do not lubricate the door hinge. If the hinge makes noise, replace the hinge.

Cold Weather Care

If the unit is delivered on a cold day (below freezing), or is stored in an unheated room or area during the cold months, do not attempt to operate the washer until it has had a chance to warm up. Water from the previous cycle may remain.

Care of Your Washer

Use only a damp or sudsy cloth for cleaning the control panel. Some cleaning products may harm the finish on the control panel or damage the interior. **DO NOT** use products that contain alcohol on the control panel. Wipe the panel dry after cleaning.

Wipe the washer cabinet as needed. If detergent, bleach or other washing products are spilled on the cabinet, wipe immediately. Some products will cause permanent damage if spilled on the cabinet.

Do not use scouring pads or abrasive cleansers on control panel or cabinet.

The wash drum will need no particular care although it may need rinsing or wiping after an unusual load has been washed.

The outside of the door window can be cleaned with household window cleaner.

Leave the door and dispenser drawer open slightly when not in use. This will help keep them dry and prevent musty smells.

Running an occasional rinse cycle with bleach will help to avoid a musty smell in the wash drum.

Cleaning Glass Sealing Area

In order to assure that the door properly seals against water leaks, the following surfaces should be wiped off periodically:

- The outside perimeter of the door glass where the seal contacts the glass
- The front surface of the door seal lip

Usually a mild soap solution will work. If there is an extreme build-up of minerals from a hard water supply, the surfaces may need to be cleaned with a lime removal chemical.

Replacing Hoses

Hoses and other rubber parts deteriorate after extended use. Hoses may develop cracks, blisters or material wear from the temperature and constant high pressure they are subjected to.

All hoses should be checked on a monthly basis for any visible signs of deterioration. Any hose showing the signs of deterioration listed above should be replaced immediately. All hoses should be replaced every five years.

Filter Screens

Check the filter screens in the fill hoses for debris or damage every six months. Clean or replace them if necessary.

If the washer is filling with water slower than normal, check the filter screens. Clean or replace them if necessary.

Order filter screens from the nearest authorized parts distributor.

Extended Non-Use

IMPORTANT: To avoid possible property damage due to flooding, turn off the water supply to the washer whenever there will be an extended period of non-use.

Leave the loading door and dispenser drawer open during extended periods of non-use to allow the wash drum and drawer to dry out and avoid a musty smell.

Cleaning Foreign Object Trap

The washer's pump has a trap that may collect foreign objects. The trap may need to be cleaned if water is draining slower than usual. To clean:

1. Disconnect washer from electrical supply.
2. Remove two screws at bottom of the front access panel.
3. Rotate bottom of panel out and remove panel.

NOTE: The pump may have some water in it. Use a rag or a container to catch water. If the wash drum is full of water, use a wet/dry shop vacuum to catch the water.

4. With rag or vacuum ready, unscrew the cap on the left side of the pump and remove trap.
5. Clean the debris from the trap.
6. Reinstall the trap and access panel.
7. Reconnect washer to electrical supply.

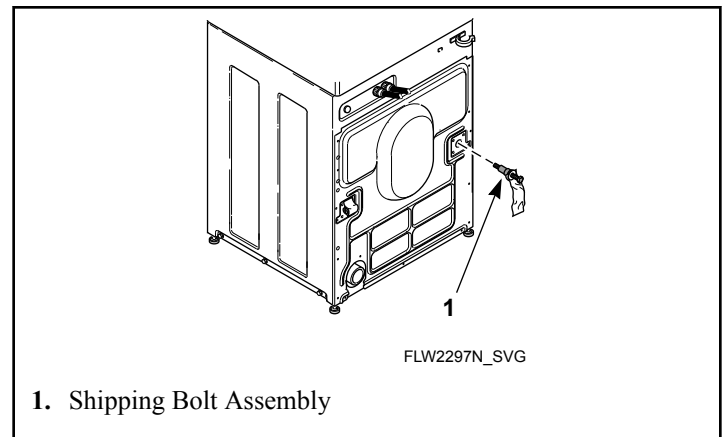
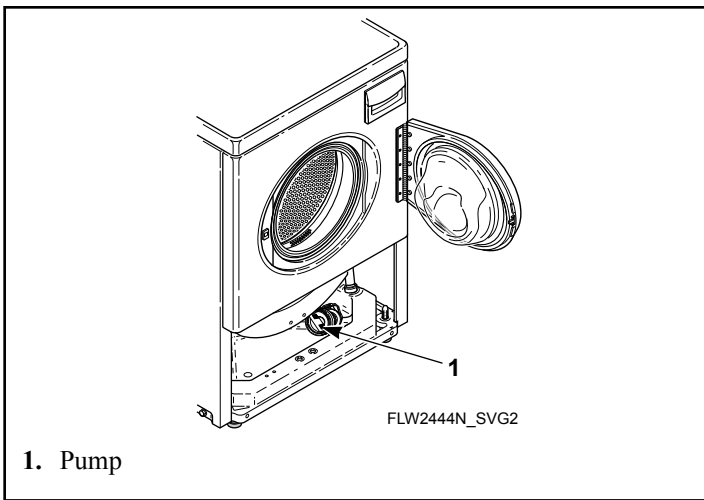


Figure 21

Reinstallation of Shipping Materials

To prevent damage while moving the unit, the shipping materials **MUST** be reinstalled.

1. Disconnect washer from electrical supply.
2. Remove two screws at bottom of front access panel.
3. Rotate bottom of panel out and remove panel.
4. Attach shipping brace to weight and base using four bolts and washers. Refer to *Figure 20*.
5. Reinstall front access panel.
6. Go to rear of washer to install rear shipping bolt, washer, spacer assemblies.
7. Insert shipping bolt assemblies into each shipping bolt hole. Refer to *Figure 21*.
8. Tighten bolt while pressing washer against rear panel to ensure spacer is fully inserted.

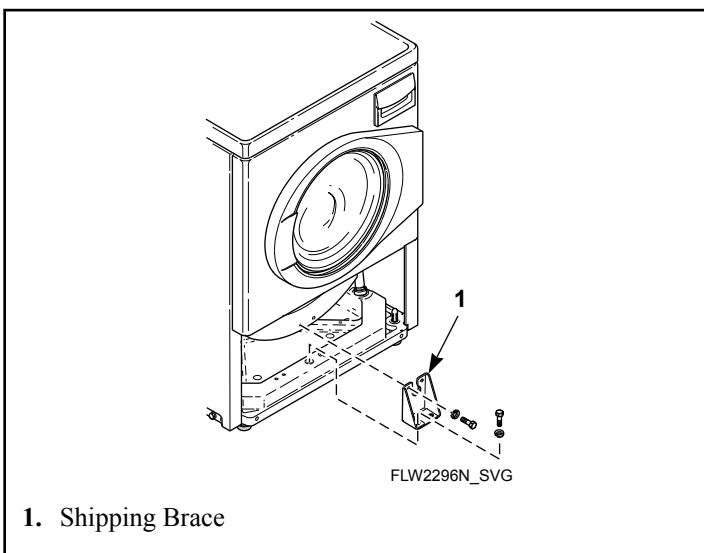


Figure 20

Troubleshooting

Try these troubleshooting tips before making a service call. They may save you time and money.

Washer Symptom	Possible Cause/Solution
Won't Fill	<ul style="list-style-type: none"> • Make sure power cord is plugged all the way into the electrical outlet. • Check the laundry room fuse or circuit breaker. • Make sure that the controls are properly set. • Press START keypad. • Make sure that the loading door is closed tightly. • Make sure hot and cold water faucets are turned on. • Make sure that the fill hoses are not kinked or twisted. • Clean the screens in the water mixing valve and the filter screens located at the faucet end of the fill hoses.
Won't Start	<ul style="list-style-type: none"> • Make sure power cord is plugged all the way into the electrical outlet. • Check the laundry room fuse or circuit breaker. • Make sure that the controls are properly set. • Press START keypad. • Make sure that the loading door is closed tightly. • Insert coin(s) or card. (metered models only) • Make sure door latch is properly adjusted relative to door lock.
Won't Spin/Tumble	<ul style="list-style-type: none"> • Make sure power cord is plugged all the way into the electrical outlet. • Check the laundry room fuse or circuit breaker. • Make sure that the controls are properly set. • Press START keypad. • Make sure that the loading door is closed tightly. • Broken drive belt. Call the service person. • Foreign object trap in pump may be clogged. Clean the trap. Refer to Maintenance section.
Stops/Pauses During Cycle	<ul style="list-style-type: none"> • Pauses are part of the washer's normal operation. • Check the laundry room fuse or circuit breaker. • Wash load may be unbalanced. Washer will stop and then restart spin automatically.
Won't Drain	<ul style="list-style-type: none"> • Make sure drain hose is not kinked or twisted. • Make sure drain hose is not clogged. • Make sure drain receptacle is not clogged. • Refer to the Installation instructions to make sure that the drain hose has been properly installed. • Foreign object trap in pump may be clogged. Clean the trap. Refer to Maintenance section.

Table continues...

Washer Symptom	Possible Cause/Solution
Water Leaks	<ul style="list-style-type: none"> • Check that fill hoses are properly installed on the faucets and the washer’s water mixing valve. • Check the condition of the fill hoses. Replace fill hoses every five years. • Make sure drain receptacle is not clogged. • Check laundry room plumbing. • Check the condition of the rubber door gasket for tears or holes. • Laundry load may be oversudsing. Make sure you are using low-sudsing, high efficiency (HE) detergent. • Laundry load may be overloaded. Make sure you are using proper load sizes. • Make sure outside perimeter of the door glass where seal contacts glass is clean.
Too Many Soap Suds	<ul style="list-style-type: none"> • Laundry load may be oversudsing. Make sure you are using low-sudsing, high efficiency (HE) detergent. • Make sure you are using the amount of detergent recommended on the detergent’s label. If using non-HE detergent, use only 1/2 of the detergent manufacturer's recommended amount. • Laundry load may be overloaded. Make sure you are using proper load sizes.
Vibrates/Moves Slightly	<ul style="list-style-type: none"> • Make sure washer is level. Uneven leveling can cause vibration. • Make sure washer is installed on a solid, sturdy and level floor. The washer should not be installed on carpeting, soft tile, a platform or other weakly supported structures. • Make sure rubber feet are installed on all four leveling legs. Refer to Position and Level the washer.
Is Noisy	<ul style="list-style-type: none"> • Make sure washer is level. Uneven leveling can cause vibration. • Some sounds may be a part of normal operation for a frontload washer, such as clicking noise when door locks and clicking noise from balance ring during agitate part of cycle.
Load is too Wet	<ul style="list-style-type: none"> • Wash load may be unbalanced. The washer may have limited the spin speed to prevent damage to the machine. Redistribute the load. • Load is too small. Add items to make full load.
Wrong Water Temperature	<ul style="list-style-type: none"> • Make sure that the controls are properly set. • Check fill hoses. Make sure hot faucet hose is connected to hot mixing valve (indicated with “H” on the valve bracket) and cold faucet is connected to cold mixing valve (indicated with “C” on the valve bracket). • Make sure laundry room water heater is adjusted properly.

Contact Information


If service is required, contact the nearest Factory Authorized Service Center.

If you are unable to locate an authorized service center or are unsatisfied with the service performed on your unit, contact the source from which you purchased your unit.

When calling or writing about your unit, PLEASE GIVE THE MODEL AND SERIAL NUMBERS. The model and serial numbers are located on the serial plate. The serial plate will be in the location shown in *Figure 22*.

Date Purchased	
Model Number	
Serial Number	

Please include a copy of your bill of sale and any service receipts you have.

	WARNING
<p>To reduce the risk of serious injury or death, DO NOT repair or replace any part of the unit or attempt any servicing unless specifically recommended in the user-maintenance instructions or in published user-repair instructions that you understand and have the skills to carry out.</p>	
W329	

If replacement parts are required, contact the source from where you purchased your unit.

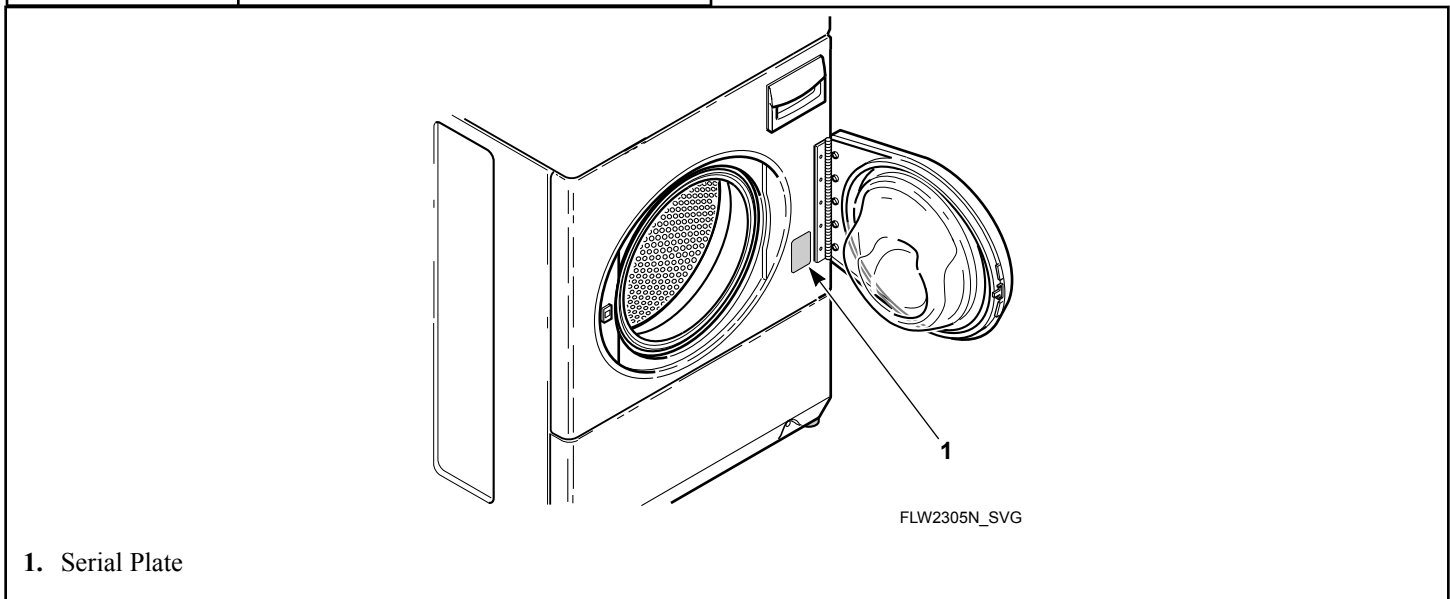
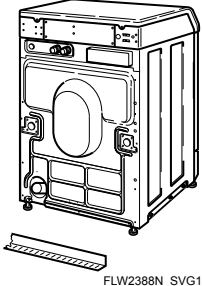
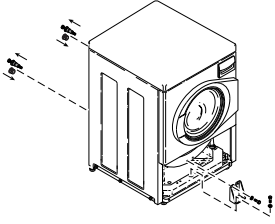
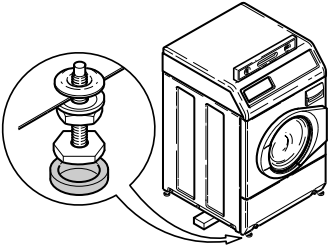
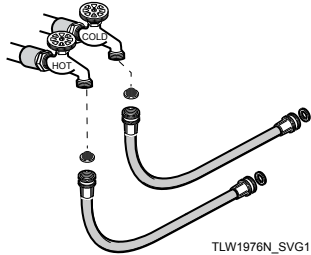
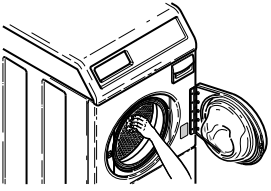
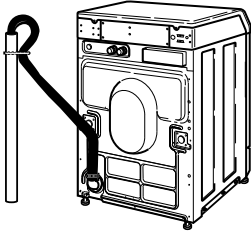



Figure 22

Installer Checklist

Fast Track for Installing the Washer

1	Position Washer Near Installation Area.	5	Gravity Drain Models - Connect Drain Outlet to Drain System.	 <p>FLW2388N_SVG1</p>
	CHECK		CHECK	
2	Remove the Shipping Materials and Install Plugs.	 <p>FLW2359N_SVG</p>	6	 <p>FLW2312N_SVG1</p>
	CHECK		CHECK	
3	Connect Fill Hoses.	 <p>TLW1976N_SVG1</p>	7	 <p>FLW2316N_SVG</p>
	CHECK		CHECK	
4	Non-Gravity Drain Models - Connect Drain Hose to Drain Receptacle.	 <p>FLW2387N_SVG1</p>	8	 <p>FLW2151N_SVG</p>
	CHECK		CHECK	

Refer to the manual for more detailed information